

BRISTAN

TAPS & SHOWERS

Installation Instructions & User Guide

Please leave these instructions with the end user

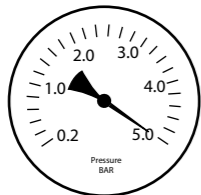
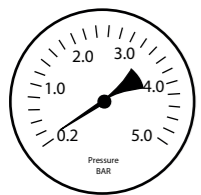
Product Code: PS2 BSM C (D2)

Specifications

Dynamic Water Pressure (bar)

Min: 0.3

Max: 5.0

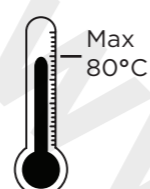
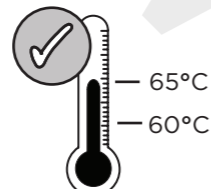
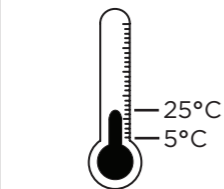


Maximum Static Pressure: 10.0

Inlet water temperature

Cold Water Supply

Hot Water Supply

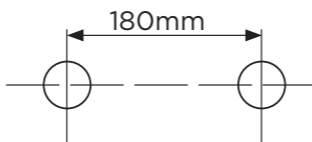


Min: 5°C Max: 25°C

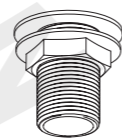
60-65°C recommended Maximum

80°C

Inlet Dimensions

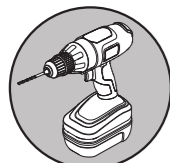


Inlet Connection

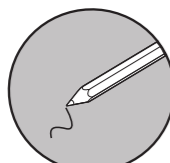


3/4" Male BSP Tap Connector

Tools you'll need



Cordless Drill



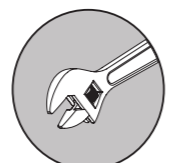
Pencil



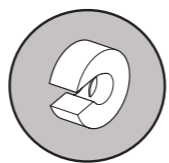
Flat Screw Driver



Phillips Screwdriver



Adjustable Spanner



Pipe Cutter



Hexagonal Keys



Safety Glasses

Prior to Installation

All products manufactured and supplied by Bristan are safe provided they are installed, used correctly and receive regular maintenance in accordance with these instructions.

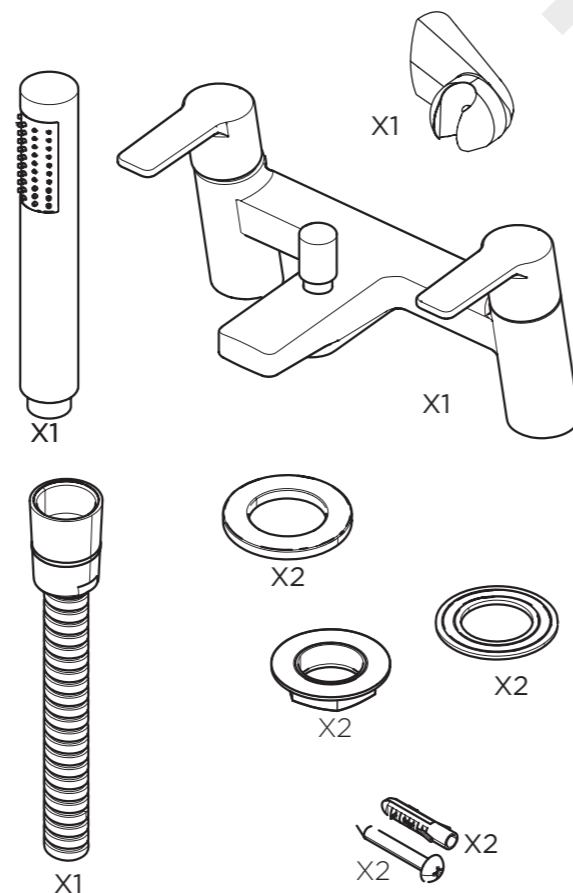
This product has been tested to the Water Regulations Advisory Scheme (WRAS) and satisfies the requirements of the Water Supply (Water Fittings) Regulations 1999 and current bylaws.

For full Installation Requirements & Notes (IRN) please visit: www.wras.co.uk/directory

Isolation valves must be fitted to the inlet water supplies to ensure ease of future maintenance.

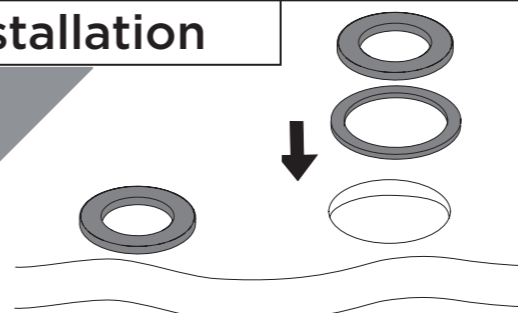
Before installing these taps the water supply must be thoroughly flushed in order to remove any swarf, solder etc from the pipework.

Pack Contents



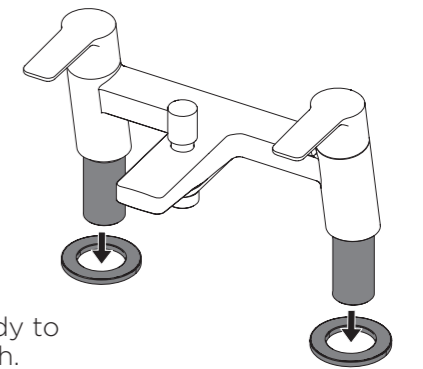
Installation

1



Place the plinths over the holes in the bath ensuring that the washers are fitted between the plinths and the bath.

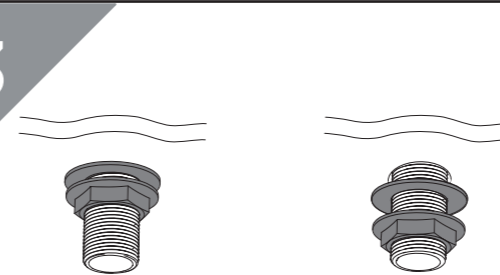
2



Fit the body to the bath.

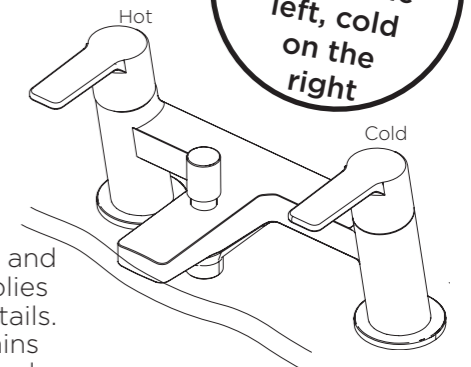
Tip
remember
hot on the
left, cold
on the
right

3



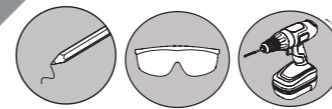
Secure the body to the bath by using the washer and metal backnut below the bath. Tighten the backnut onto the threaded tails.

4



Connect the hot and cold water supplies to the threaded tails. Turn on the mains water supply and check connections for any leaks.

5

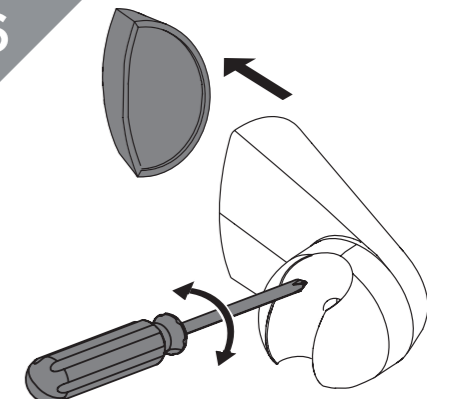


IMPORTANT
Prior to drilling into walls check there are no hidden electrical wires, cables or water supply pipes

Mark the position of the wall bracket, drill and plug holes to suit.

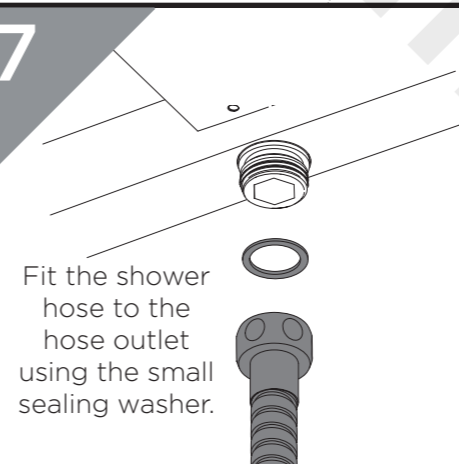
Fit the wall bracket to the wall using the fixing supplied or suitable alternative.

6



Push the wall bracket onto the fixing bracket, you will hear a 'click' once secure. The handset holder can be adjusted to suit.

7



Fit the shower hose to the hose outlet using the small sealing washer.

Fit the shower hose to the handset using the small sealing washer.

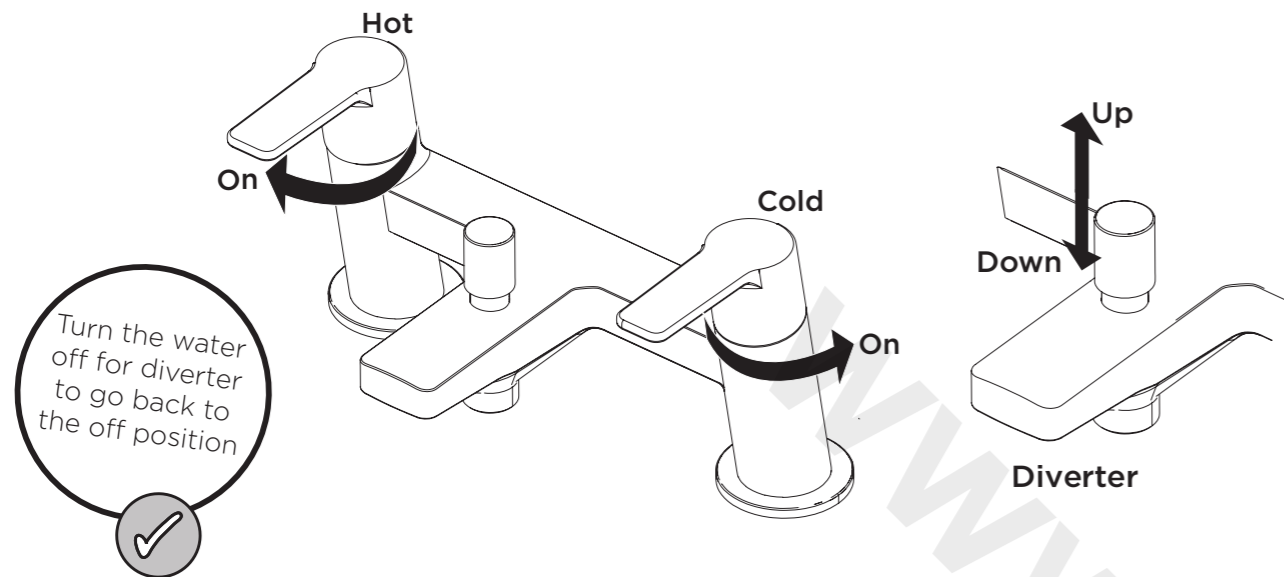
Why not visit our YouTube channel

To see our latest how-to videos, simply scan the QR code with your smart phone or tablet.



Alternatively visit www.youtube.com/bristanTV

Operation



General Cleaning

Your fitting has a high quality finish and should be treated with care to preserve the visible surfaces.

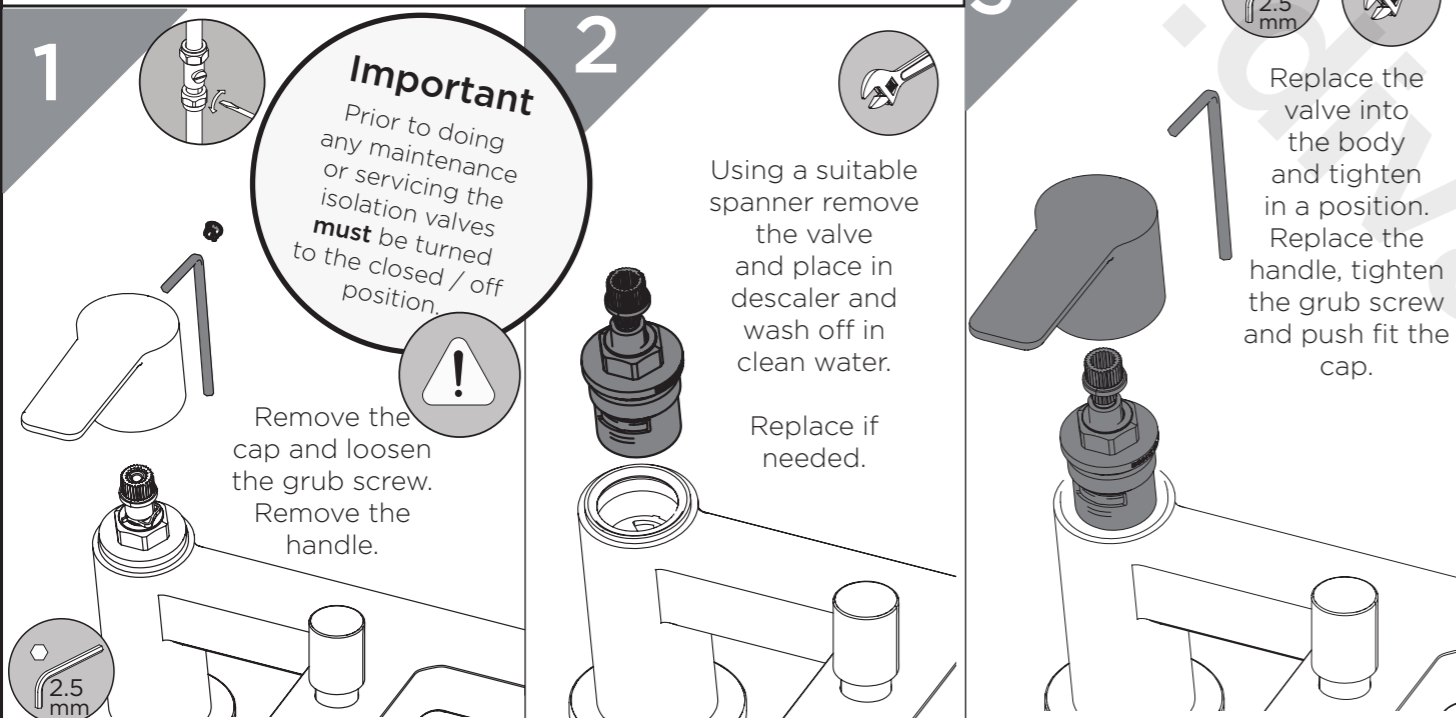
All surfaces will wear if not cleaned correctly, the only safe way to clean your mixer tap is to wipe with a soft damp cloth. Stains can be removed using washing up liquid. All bath cleaning powders and liquids will damage the surface of your fitting, even the non-scratch cleaners.

Note: Never use abrasive detergents or disinfectants or those containing alcohol, hydrochloric acid or phosphoric acid.

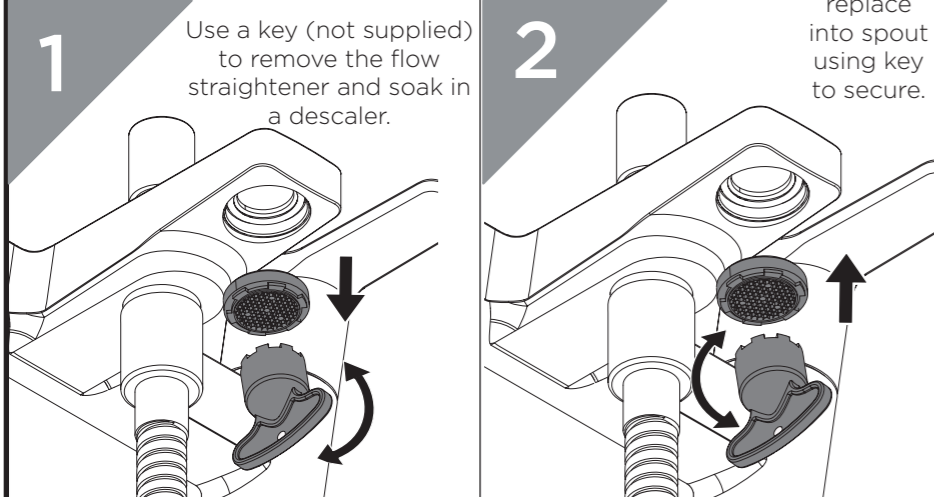
Troubleshooting

| Symptom | Cause | Remedy |
|--------------------------|---|--|
| No flow or low flow rate | Partially closed isolation valve. | Open isolation valve. |
| | Instantaneous water heater cycles on and off as flow rate or pressure is too low. | Increase water flow rate or pressure through system. |
| | Head of water is below the minimum distance required. | 2 meters minimum required. |
| | Hot or cold water being drawn off elsewhere causing pressure changes or instantaneous boiler temperature changes. | Do not use other water outlets when using the taps. |
| | Airlock or partial blockage in the supply pipework. | Flush through pipework to ensure removal of debris and any airlocks. |
| Water dripping from taps | This is normal for a short time after using the taps. | This is caused by capillary action, the build up of water in the tap body. |
| | If water continues to drip, possibly due to the ceramic disc valves | Remove valves and clean, refer to 'Maintenance' section before starting any maintenance. |
| Taps do not turn on | Closed isolation valve. | Open isolation valve. |
| | Mains water supply turned off. | Turn on mains water supply. |

Maintenance - Cartridge Cleaning



Maintenance - Flow Straightener



Spares

To replace any spare parts for your bath shower mixer why not scan the QR code and search for your product



Notes

Please use this space for any notes you or your installer may have regarding the installation of this product.

At Bristan, we want to make things as easy as possible for our customers. That's why we offer solid guarantees on all our products, effective from the date of purchase, to give you peace of mind. To start your free **guarantee** simply scan the QR code and register your product. Alternatively visit www.bristan.com/register to register your product via a computer.



For full guarantee terms and conditions visit www.bristan.com/guarantees.

We Know & We Care